

TVH Series • Common Mode EMI Inductors

TVH Series low cost toroidal inductors designed to attenuate conductor noise (EMI) in systems

Features

- SMD design ideal for pick and place compatibility
- Manufactured in ISO 9001:2015 and ISO 14001:2015 certified Talema facility
- Meets lead free reflow level J-STD-020F for SMD
- Fully RoHS & REACH Compliant

Electrical Specifications @25°C

Test frequency: Inductance measured @10KHz / 10mV

Test voltage between windings: 1500Vrms

Operating temperature range: -40°C to +125°C

Climatic Category: IEC68-1 40/125/56

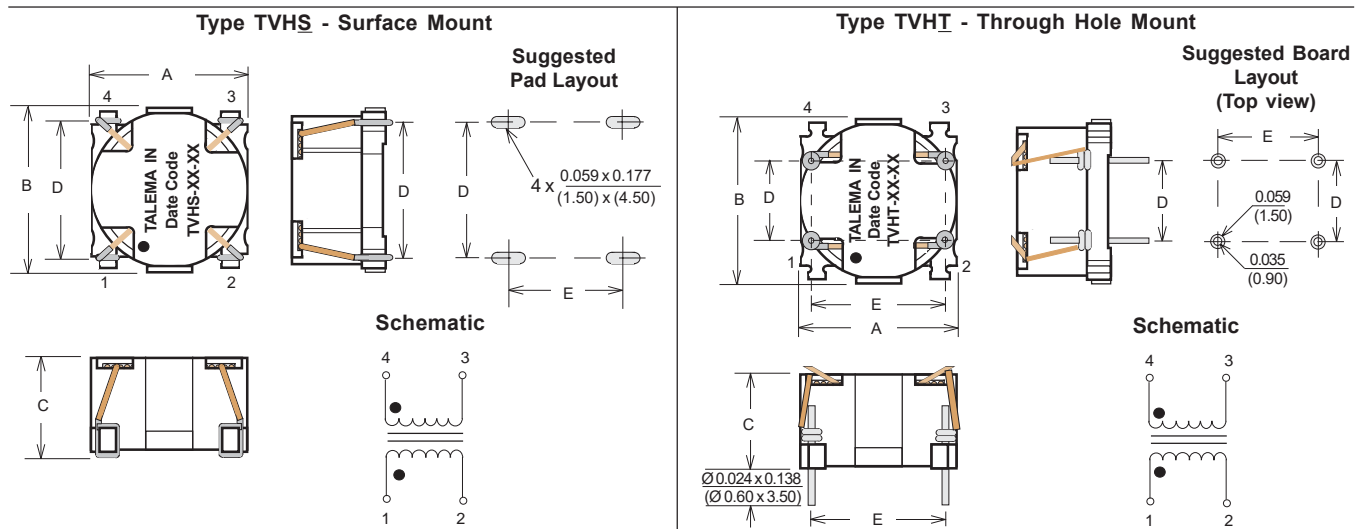


Part Number	Rated RMS Current (Amps)	L _N / L _O (mH ±30%)	DCR (mOhm max.)	SRF (MHz)	Vrms	Package Size	
						"S"	"T"
TVH_-3.6-102	3.60	1.0	50	4	1500	SC5	TC5
TVH_-1.5-102	1.50	1.0	60	2	1500	SC3	TC3
TVH_-2.5-302	2.50	3.0	80	2.2	1500	SC5	TC5
TVH_-1.0-103	1.00	10.0	450	0.5	1500	SC3	TC3
TVH_-0.5-223	0.50	22.0	850	0.3	1500	SC3	TC3

Note: When ordering, add "S" or "T" to the basic part number to denote preferred mounting style.

Example: TVHS-1.0-223 for SMD (or) TVHT-1.0-223 for through hole.

Dimensions



Mounting Style	Size Code	Dimensions - Inches ±0.010 (mm±0.25)				
		A	B	C	D	E
"S" SMD	SC3	0.551 (14.00)	0.630 (16.00)	0.350 max. (8.90 max.)	0.530 (13.46)	0.340 (8.64)
	SC5	0.662 (16.82)	0.760 (19.31)	0.390 max. (9.90 max.)	0.660 (16.76)	0.445 (11.30)
"T" TH	TC3	0.551 (14.00)	0.630 (16.00)	0.327 max. (8.30 max.)	0.500 (12.70)	0.400 (10.16)
	TC5	0.662 (16.82)	0.760 (19.31)	0.362 max. (9.20 max.)	0.500 (12.70)	0.500 (12.70)

Regional Locations - Design, Manufacturing, Sales & Marketing

Talema Group Regional Offices

North America

**United States
(Sales & Marketing)**

Talema Group, LLC
 PO Box 935
 900 Innovation Drive
 Suite 120, Rolla
 Missouri 65402
 Tel: +1 573-303-3675
 E-Mail:
sales@talemagroup.com
 Web: www.talema.com

Asia

**India
(Design, Manufacturing, Sales & Marketing)**

Administrative Office
Talema Electronic India Private Limited
 Door No. 221, 1st and 2nd Floor
 KJ Plaza, Opp.to Vidya Mandir School
 Meyanoor Main Road
 Salem - 636 004 Tamil Nadu INDIA
 Tel: +91 427 - 243 3100
 Fax: +91 427 - 243 3109
 E-Mail: talema@talemaindia.net
 Web: www.talema.com

Factory Premises
Talema Electronic India Private Limited
 Plot Nos. 30, 31 Electrical and Electronic
 Industrial Estate
 Suramangalam
 Salem - 636 005 Tamil Nadu INDIA
 Tel: +91 427 - 243 3000
 E-Mail: talema@talemaindia.net
 Web: www.talema.com

Europe

**Germany
(Design, Sales & Marketing)**

Talema Elektronik GmbH
 Sembdnerstr. 5
 82110 Germering
 Tel: +49 89 - 841 00 - 0
 Fax: +49 89 - 841 00 25
 E-Mail: info@talema.de
 Web: www.talema.com

**Ireland
(Design, Sales & Marketing)**

Nuvotem TEO
 Units W & X, Gweedore Business Park
 Derrybeg, Letterkenny, Co. Donegal
 Tel: +353 (0) 74 95 48666
 Fax: +353 (0) 74 95 48139
 E-Mail: info@nuvotem.com
 Web: www.nuvotem.com

**Czech Republic
(Design, Manufacturing, Sales & Marketing)**

NT Magnetics s.r.o.
 Chebská 27
 322 00 Plzeň
 Tel: +420 377 - 338 351
 Fax: +420 377 - 338 350
 E-Mail: talema@talema.cz
 Web: www.ntmagnetics.cz

Locations of Talema Group Regional Offices

